



GALVANIZED STEEL ANGLE

METROCAN

DISTRIBUTION CORP

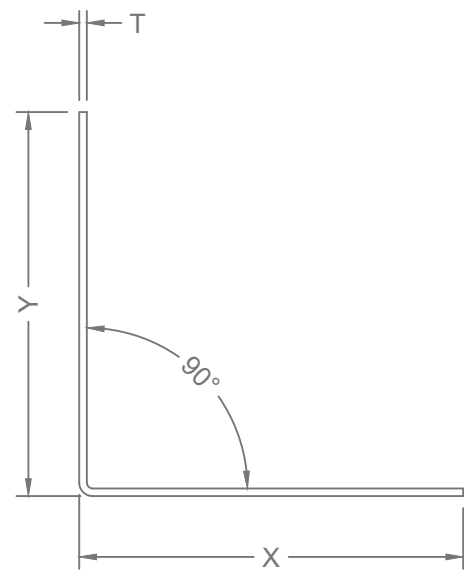
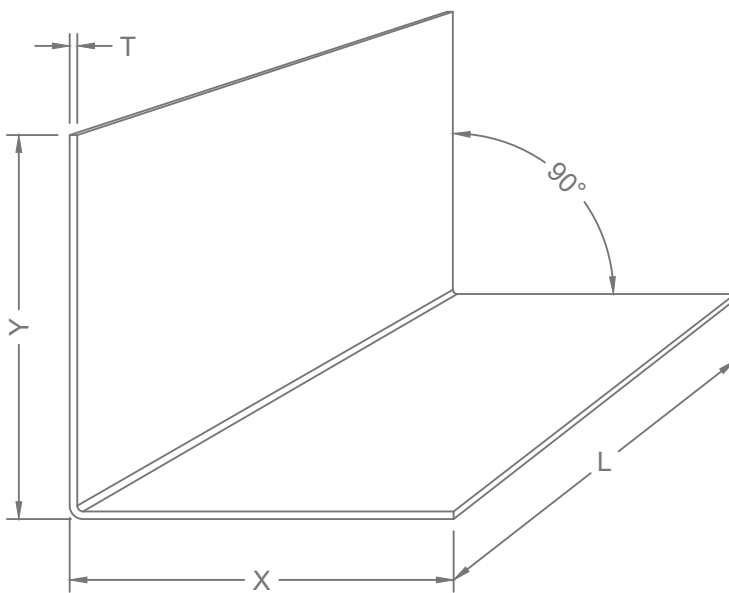


DESCRIPTION

Our Galvanized L Angle is made from high-quality steel that has been hot-dipped in a galvanized coating to protect against rust and corrosion. The standard coating is G40, but we also offer G60 and G90 coatings upon special request. These angles come in a range of sizes and thicknesses to suit your specific needs. The galvanized coating ensures long-lasting durability and performance, making it a reliable choice for construction, industrial, and other applications. Please note that special coating requests may require extended lead times and additional charges.

ASTM & CODE STANDARDS

ASTM A653/653M, A924/A924M, A1003/A1003M, C954



PROPERTIES

Product Code	T	Dimensions			Weight per pc. (lbs)	# of pcs. per pallet
		X (in)	Y (in)	L (ft)		
GA211210	20GA	1.500	1.500	10	3.25	800
GA2210	20GA	2.000	2.000	10	4.50	400
GA511411210	25GA	1.250	1.500	10	1.85	800
GA5210	25GA	2.000	2.000	10	2.75	800



Email
info@metro-can.com



Phone
604-621-0999



Address
21331 Gordon Way, Richmond BC