



METROCAN

DISTRIBUTION CORP

STUCCO PLASTER STOP

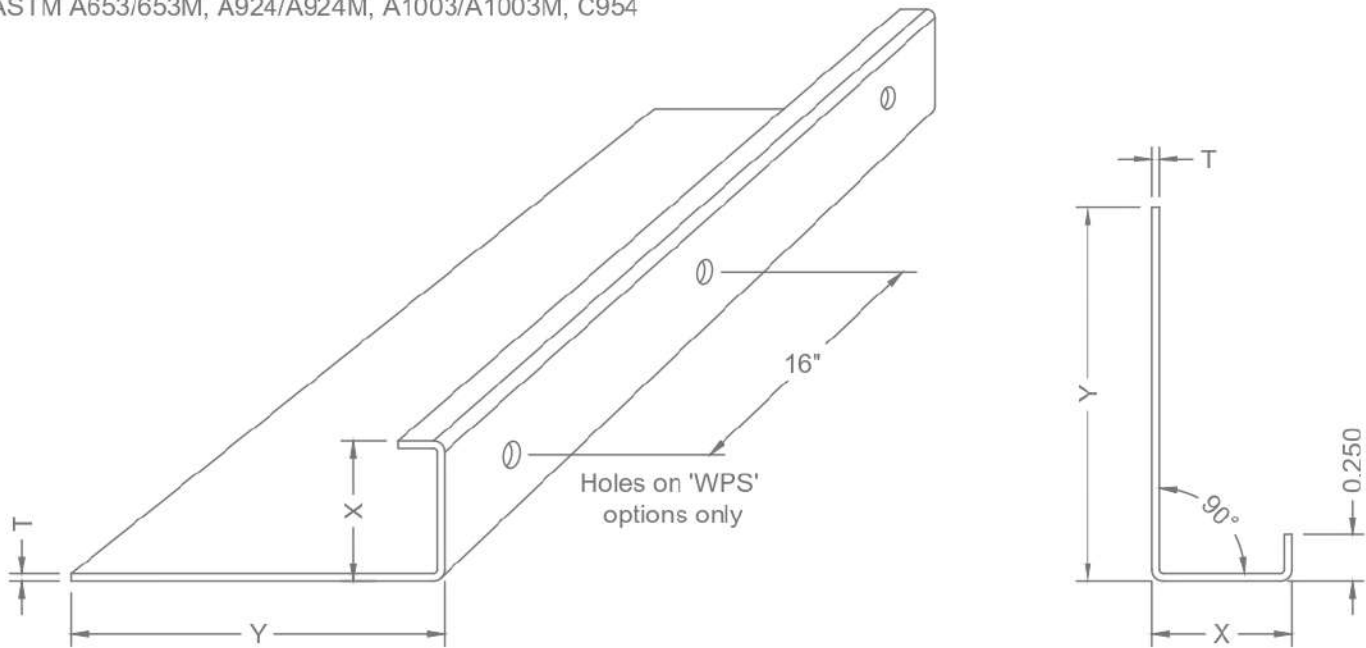


DESCRIPTION

Our Stucco Plaster Stop is designed to provide a neat and clean finish at the end of a wall or when connecting to dissimilar materials. It features a 90-degree turn at the plaster surface, which creates a seamless and professional look. The nailing flange is slightly arched to ensure a tight fit, ensuring that it stays securely in place. This product is manufactured in standard G60 hot-dipped galvanized steel, which provides excellent corrosion resistance. For even greater protection, we offer G90 galvanized steel upon special request. With its clean finish and reliable performance, our Stucco Plaster Stop is an excellent choice for your construction or remodeling projects.

ASTM & CODE STANDARDS

ASTM A653/653M, A924/A924M, A1003/A1003M, C954



PROPERTIES

Product Code	T	Dimensions		L (ft)	Weight per pc. (lbs)	# of pcs. per pallet
		X (in)	Y (in)			
PS34	25GA	0.750	2.000	12	2.0	1000
WPS34	25GA	0.750	2.000	12	2.0	1000
PS12	25GA	0.500	2.000	12	1.8	1000
WPS12	25GA	0.500	2.000	12	1.8	1000



Email
info@metro-can.com



Phone
604-621-0999



Address
21331 Gordon Way, Richmond BC