



METROCAN

DISTRIBUTION CORP

RESILIENT CHANNEL SOUNDBAR

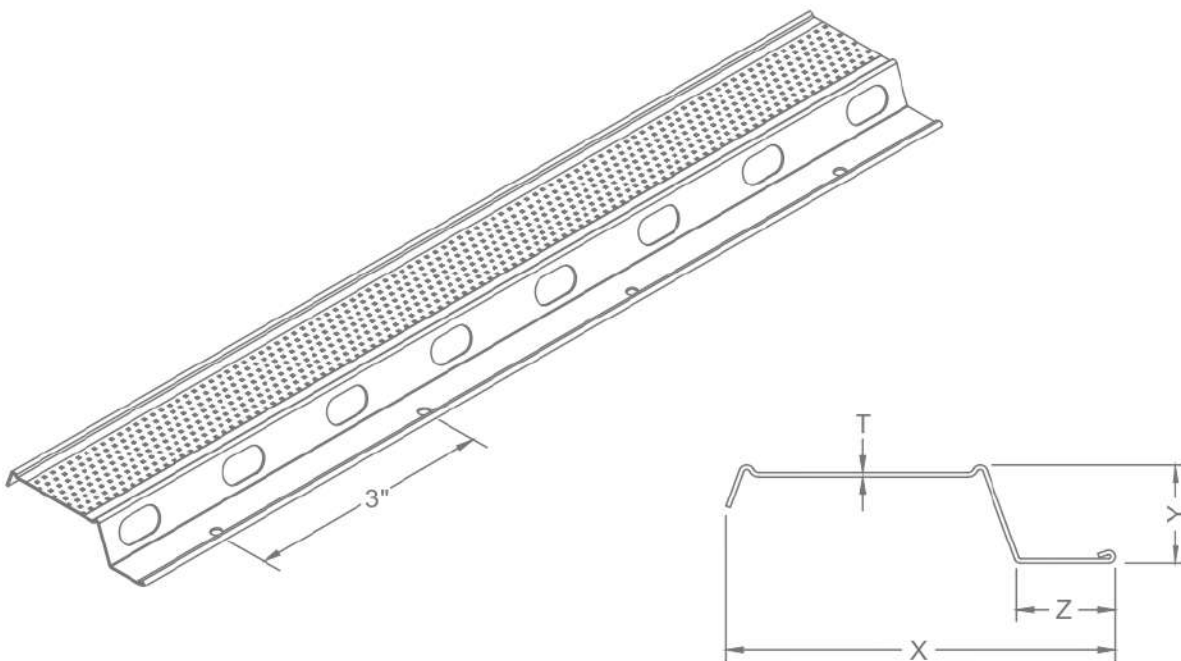


DESCRIPTION

Our Resilient Channels are designed to provide a strong and stable base for your construction projects. These channels are manufactured with a 1-1/4" top flange and a 1/2" nailing/screw attachment flange, giving them a 1/2" furring height from the face of the wall stud. They are made from hot-dipped galvanized steel in a standard G40 coating weight, which provides excellent corrosion resistance. If you require even greater protection, we also offer G60 galvanized steel upon special request. These resilient channels are a reliable and versatile choice for your construction needs.

ASTM & CODE STANDARDS

ASTM A653/653M, A924/A924M, C645, A1003/A1003M, C645, C754 (installation)



PROPERTIES

Product Code	T	X (in)	Dimensions Y (in)	Z (in)	L (ft)	Weight per pc. (lbs)	# of pcs. per pallet
SB	25GA	2.500	0.500	0.500	12	2.75	800



Email
info@metro-can.com



Phone
604-621-0999



Address
21331 Gordon Way, Richmond BC